

GBU2508L

SINGLE PHASE 25.0AMPS.GLASS PASSIVATED BRIDGE RECTIFIERS

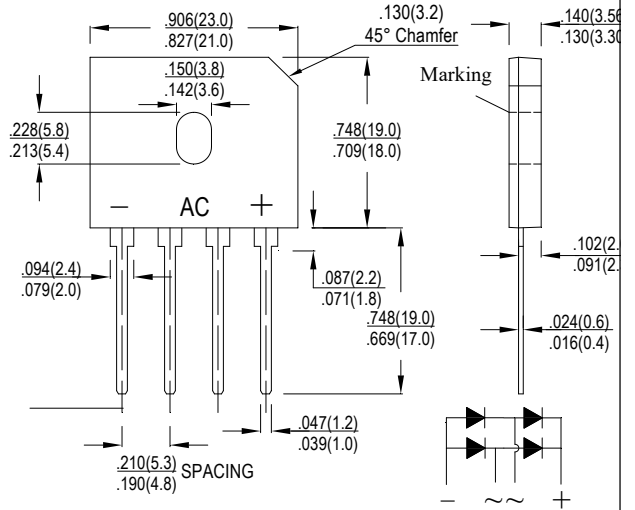
FEATURE

- . UL Listed Under Recognized Component Index,
- . Glass passivated chip junctions
- . High case dielectric strength
- . Low Reverse Leakage Current
- . High surge current capability
- . Ideal for Printed Circuit Board Applications

MECHANICAL DATA

- . Case Material: Molded Plastic.
UL Flammability Classification Rating 94V-0
- . Terminals: Pure tin plated, Lead free.
Leads solderable per MIL-STD-750, Method 2026.
- . Polarity: Molded on Body
- . Mounting: Through Hole for #6 Screw
- . Mounting Torque: 5.0 in-lbs Maximum

GBU



Dimensions in inches and (millimeters)

MAXIMUM RATINGS AND ELECTRICAL CHARACTERISTICS

Ratings at 25°C ambient temperature unless otherwise specified.

Single phase, half wave, 60Hz, resistive or inductive load.

For capacitive load, derate current by 20%

Type Number	SYMBOL	GBU2508L			units
Maximum Recurrent Peak Reverse Voltage	V_{RRM}	800			V
Maximum RMS Voltage	V_{RMS}	560			V
Maximum DC blocking Voltage	V_{DC}	800			V
Maximum Average Forward (with heatsink Note2) Rectified Current @ $T_C=100^\circ\text{C}$ (without heatsink)	$I_{F(AV)}$	25.0 3.5			A
Peak Forward Surge Current 8.3ms single half sine-wave superimposed on rate load (JEDEC method)	I_{FSM}	300			A
Maximum Forward Voltage Drop per element @12.5 A DC	V_F	Min	Typ	Max	V
		0.80	0.95	0.98	
Maximum DC Reverse Current @ $T_J=25^\circ\text{C}$ at rated DC blocking voltage @ $T_J=125^\circ\text{C}$	I_R	5.0			μA
		200.0			
I^2t Rating for Fusing ($t < 8.3\text{ms}$)	I^2t	373			A^2Sec
Typical Junction Capacitance (Note 1)	C_J	110			pF
Typical Thermal Resistance (Note 2)	$R_{(JA)}$	25			$^\circ\text{C/W}$
	$R_{(JC)}$	2.0			
Storage Temperature	T_{STG}	-55 to + 150			$^\circ\text{C}$
Operating Junction Temperature	T_J	-55 to + 150			$^\circ\text{C}$

Note:

1. Measured at 1.0 MHz and applied reverse voltage of 4.0Vdc
2. Device mounted on 250mm x 250mm x 2.0mm Aluminum Plate Heatsink.

Rating and Characteristic Curves

FIG.1-TYPICAL FORWARD CURRENT DERATING CURVE

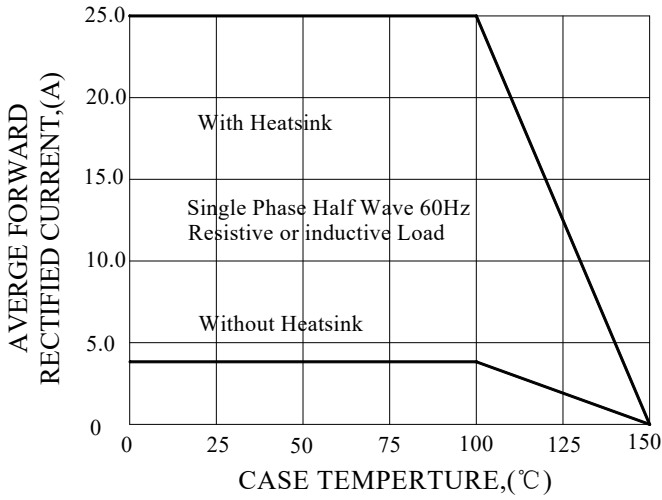


FIG.2-TYPICAL INSTANTANEOUS FORWARD CHARACTERISTICS

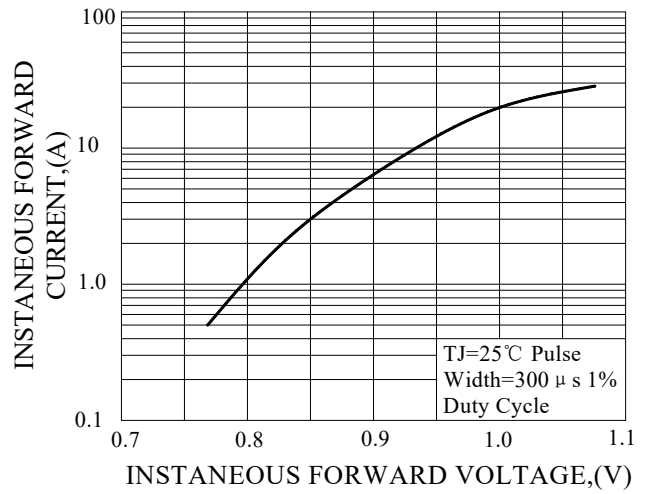


FIG.3-MAXIMUM NON-REPETITIVE FORWARD SURGE CURRENT

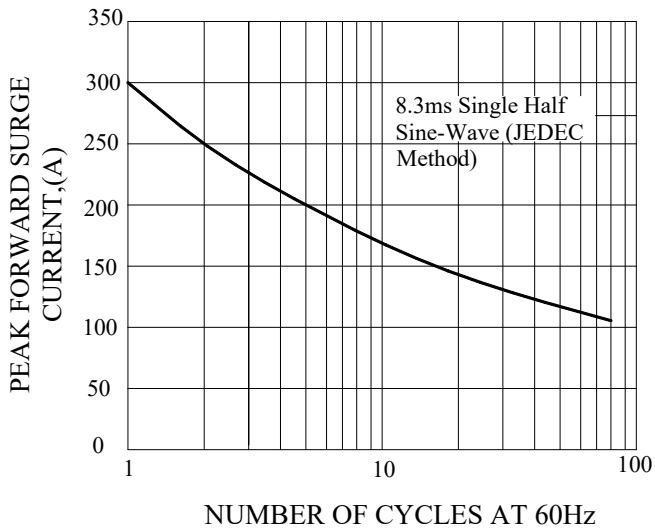


FIG.4-TYPICAL JUNCTION CAPACITANCE

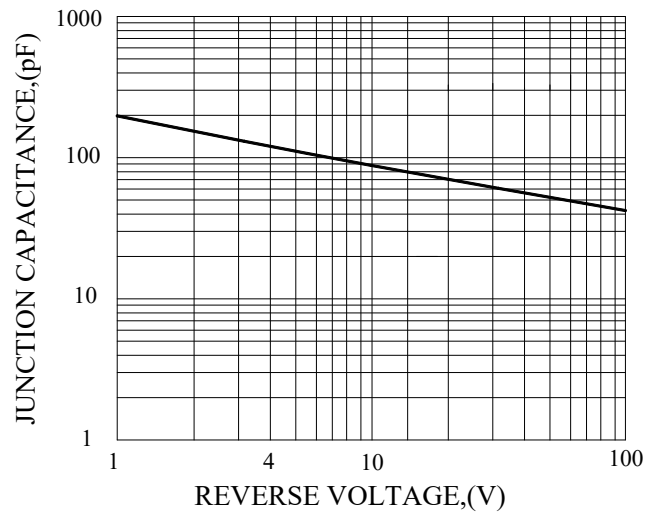
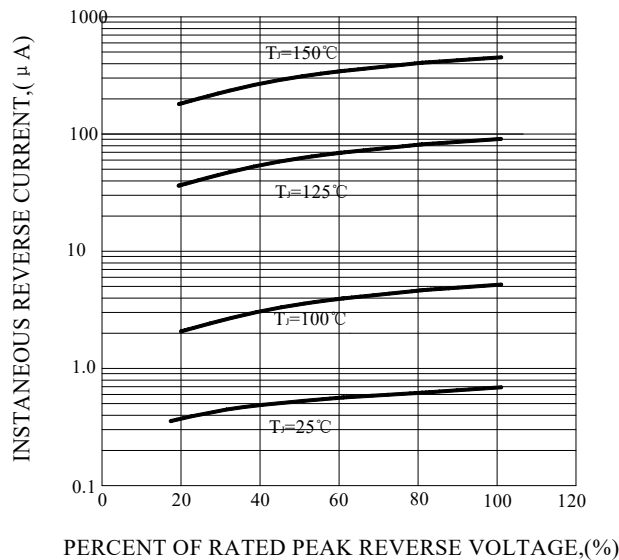
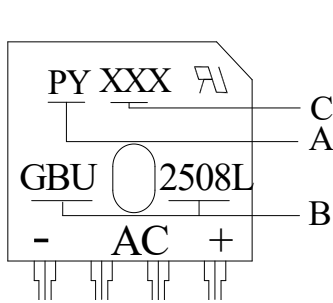


FIG.5-TYPICAL REVERSE CHARACTERISTICS



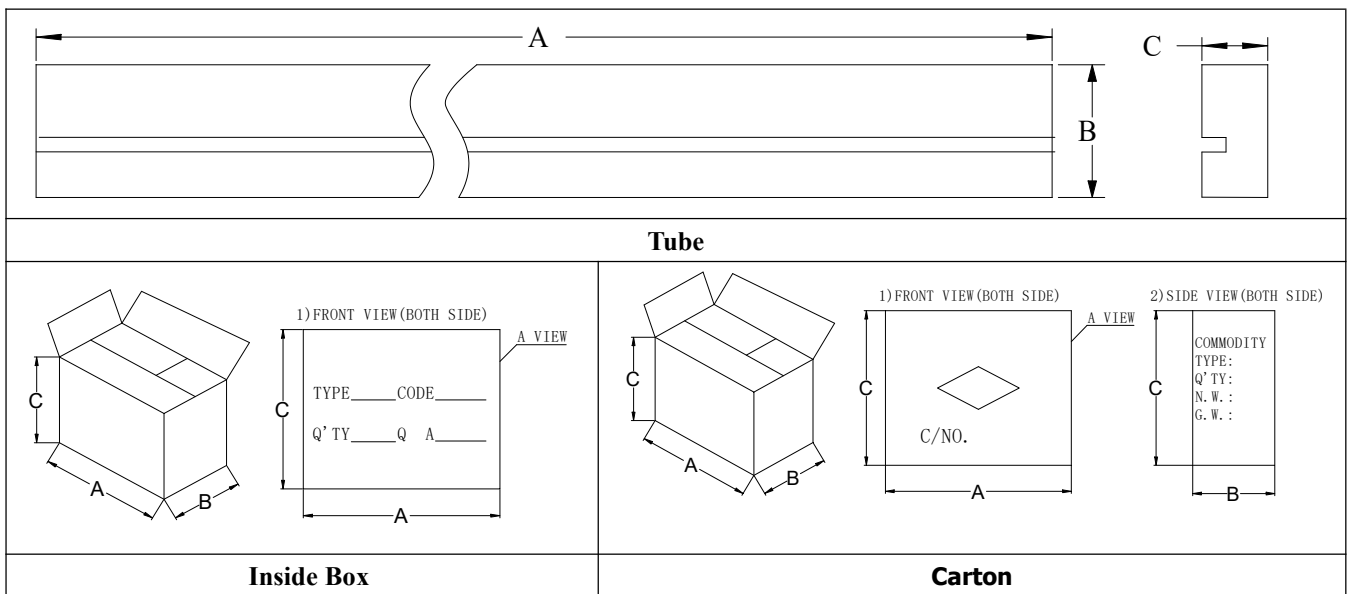
Marking and packaging illustration

1、Marking



SYMBOL	Explanation
A	Trademark
B	Product Name
C	Date code

2、Packaging



OUTLINE	A (mm)	B (mm)	C (mm)
Tube	470±1	41±1	7.0±1
Inner box	485±3	130±3	130±3
Carton	500±5	285±5	150±5

COUNT	TUBE (PCS)	BOX (PCS)	CARTON (PCS)
GBU	20	1000	2000